

Sunny Pro XL

Technical Specifications

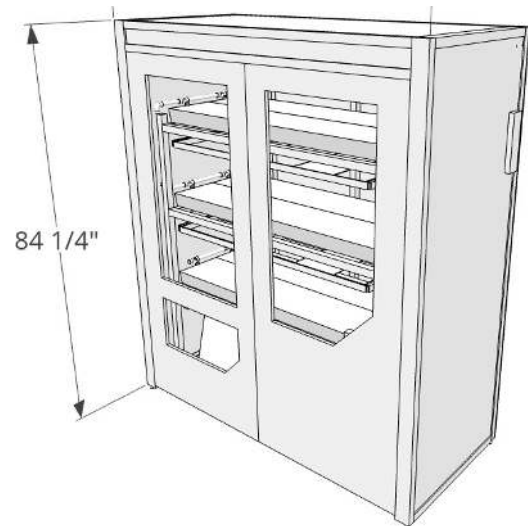
www.vhydroponics.com
info@vhydroponics.com

Features

Heavy-duty, commercial grade construction that utilizes food grade materials. The inner grow cart is removable for easy cleaning, planting and harvesting. Each system includes all the components necessary to start your hydroponic farm.

1. Capacity—115 plants
2. Dimensions:
84.25”H x 74.25”L x 33”D
3. Main lights—(3) 91W high efficiency LED grow lights.
4. Seedling light—(1) 18W LED grow light
5. Main pump—1900 GPH
6. Input power—120V
7. Main reservoir—32 gallons
8. Weights:
Shipping 450lbs
Dry 350lbs
Full 616lbs
9. Food grade NFT grow trays
10. Estimated cost per day
(\$0.10 kWh) \$0.48

Outer Shell



Grow Rack

